

SECURITY

MULTI-SENSOR INTEGRATION

THROUGH-SHAFT UNIT FOR SINGLE MAST SOLUTION



An all-weather through shaft PT unit for obstruction-free mounting. The TSU incorporates all the benefits of a PT platform with the addition of a fixed through shaft to allow the additional sensors to rotate 360° continuously in both x and y axis even with a radar mounted above.



ALL-WEATHER CAMERA MOUNT

TSU the perfect partner for supporting radar systems with top mounting allowing obstruction-free detection.

It is specifically engineered to handle larger and heavier loads and provides the user the option to use a multi sensor approach in high security applications, where accurate positioning and long range detection is required.

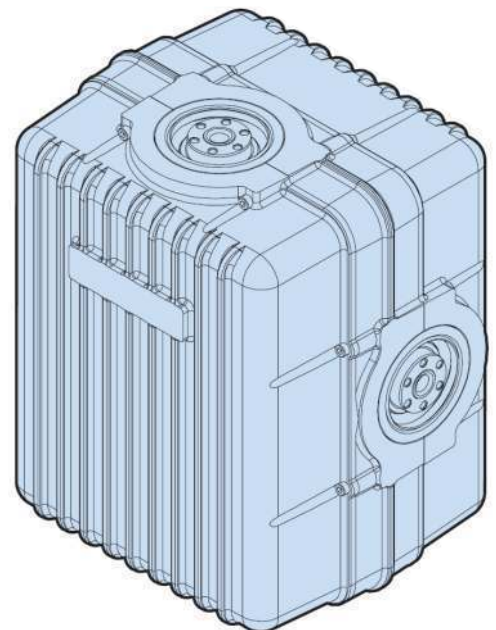
It is available with three off-the-shelf camera housings allowing lenses of up to 700mm to be incorporated within a robust IP67 enclosure.

There are a multitude of camera models including low light, SWIR, cooled and uncooled thermal and illumination using LED and laser technologies to ensure images can be seen in all weather conditions, including mist, fog and desert storms.



KEY FEATURES

- Suitable for long range surveillance systems
- Zero backlash
- Side-mounted payloads up to 50Kg
- Harmonic strain wave gearbox
- Highly ruggedised for extreme environments
- IP67 environmental protection
- Supports radar and other payload independently
- Absolute positioning
- 360° continuous or 370° non-continuous rotation
- Marine grade

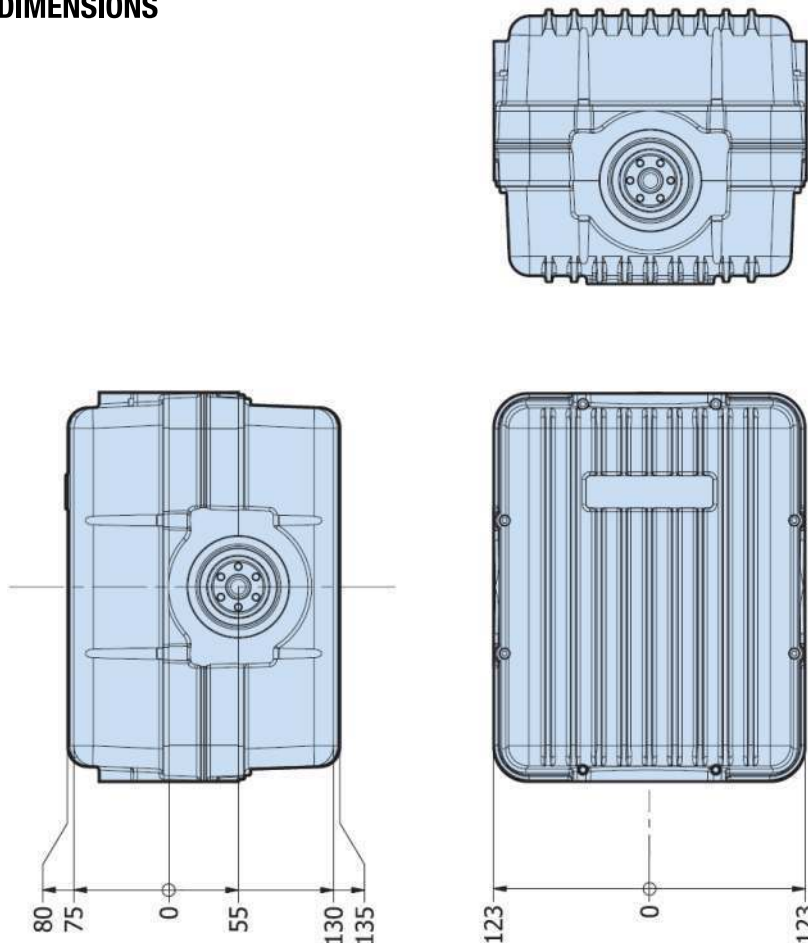


THROUGH-SHAFT UNIT FOR SINGLE MAST SOLUTION

FEATURES (MODEL-SPECIFIC)	TSU-3750-*	TSU-3650-*	TSU-3712-*	TSU-3612-*
PAYLOAD (SIDE MOUNT)	30Kg	30Kg	50Kg	50Kg
PAN RANGE	370° (NON-CONTINUOUS)	360° (CONTINUOUS)	370° (NON-CONTINUOUS)	360° (CONTINUOUS)
PAN SPEED (LOAD DEPENDENT)	0.0025°/SEC - 50°/SEC	0.0025°/SEC - 50°/SEC	0.0025°/SEC - 30°/SEC	0.0025°/SEC - 30°/SEC
TILT SPEED (LOAD DEPENDENT)	0.0025°/SEC - 50°/SEC	0.0025°/SEC - 50°/SEC	0.0025°/SEC - 30°/SEC	0.0025°/SEC - 30°/SEC
GEARBOX	50:1	50:1	120:1	120:1

FEATURES (COMMON)			
TILT RANGE	+90° to -90°	COMPASS HEADING	Cardinal Point and/or degrees
LIMITS	FIXED HARD & ADJUSTABLE	OPERATING TEMPERATURE	-30° to +65° (-40° W/ HEATER OPTION)
MOTOR TYPE	STEPPER MOTOR DRIVE	INGRESS PROTECTION RATING	IP67
POSITION ENCODERS	OPTICAL	HOUSING MATERIAL	CAST ALUMINIUM
POSITION FEEDBACK	0.01°	HOUSING FINISH	XYLAN UNDERCOAT WITH EPOXY POWDER FINISH
REPEATABILITY	0.009°	FIXINGS MATERIAL	STAINLESS STEEL
PRESETS	127	OPERATING VOLTAGE	24V to 30V DC 3.5A
PROTOCOLS	PELCO D, PELCO P, SSP	CONNECTOR	CIRCULAR MULTIPIN COMPOSITE
PARAMETER PROGRAMMING	VIA RS485 OR RS422		

DIMENSIONS



Kelvin Hughes Limited
 Voltage, Mollison Avenue
 Enfield EN3 7XQ, United Kingdom
 t: +44 (0)1992 805 200 f: +44 (0)1992 805 310
 e: surveillance@kelvinhughes.com

Kelvin Hughes LLC
 631 South Washington Street, Alexandria,
 VA 22314, USA
 t: +1 (703) 548 4007 f: +1 (703) 548 4141

Kelvin Hughes Pte Ltd
 896 Dunearn Road, #03-05 Sime Darby Centre,
 Singapore, 589472
 t: +65 6545 9880 f: +65 6545 8892



SITUATIONAL INTELLIGENCE, THE WORLD OVER

WWW.KELVINHUGHES.COM
 SURVEILLANCE@KELVINHUGHES.COM